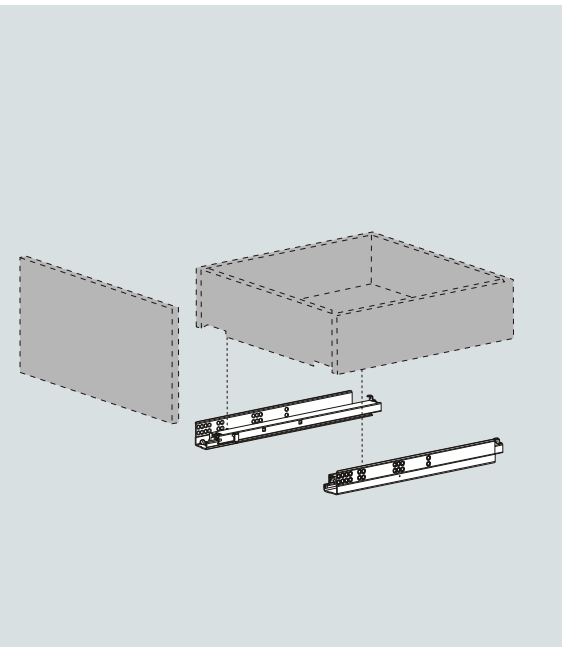
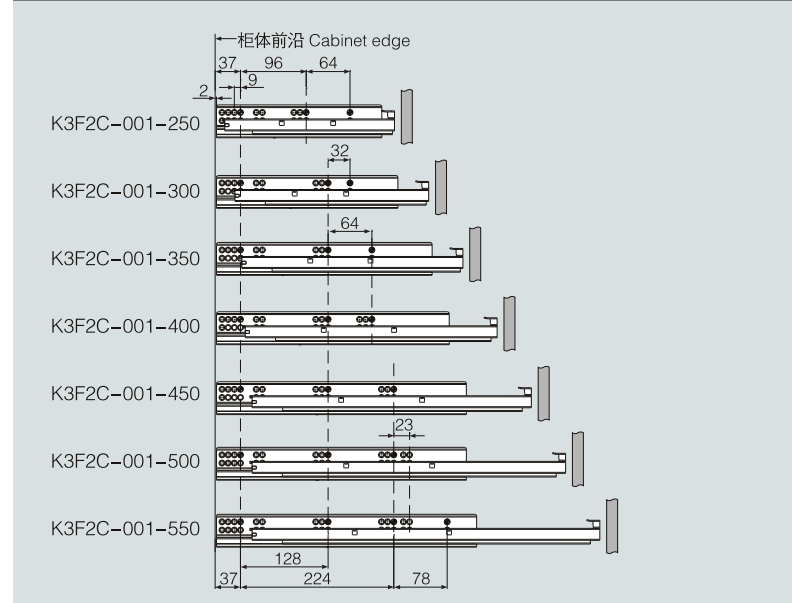




- 隐藏式、全拉出、静音式
 - 载重: 35kg
 - 材料: 镀锌板
 - 材料厚度(上、中、下)轨: 1.0x1.5x1.8mm
 - 无需工具, 抽屉可快速安装与拆卸
 - 静音系统, 滑轨运动顺畅
 - 抽屉高度可调节0-4mm
 - 缓冲功能 平缓关闭
-
- Concealed, full extension, quiet movement
 - Dynamic load capacity: 35kg
 - Material: galvanized steel
 - Material thickness: 1.0x1.5x1.8mm
 - Tool-free quick installation
 - Quiet system guarantees the slides run smoothly without noise
 - Drawer height adjustable for 0-4mm
 - Soft-closing function make the drawer close safely without effect of weight

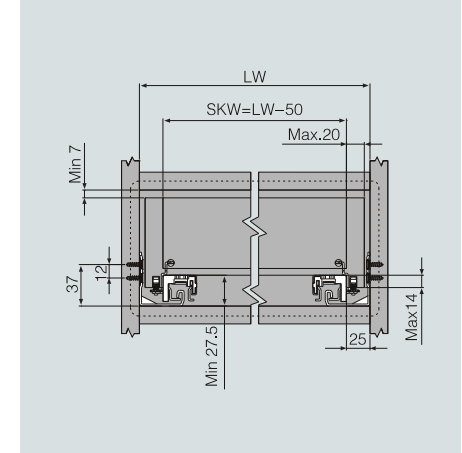
柜体滑轨安装孔尺寸 Hole pattern



产品型号 Item No.	标称长度NL (mm) Nominal length	拉出长度 (mm) Travel length	最小柜深LT (mm) (外抽 / 内抽) Min cabinet depth (Standard / Inner)	包装(套/箱) Packing (Set/Box)
K3F2C-001-250	240	229	260 / 260+X	10
K3F2C-001-300	290	279	310 / 310+X	10
K3F2C-001-350	340	329	360 / 360+X	10
K3F2C-001-400	390	379	410 / 410+X	10
K3F2C-001-450	440	429	460 / 460+X	10
K3F2C-001-500	490	479	510 / 510+X	10
K3F2C-001-550	540	529	560 / 560+X	10

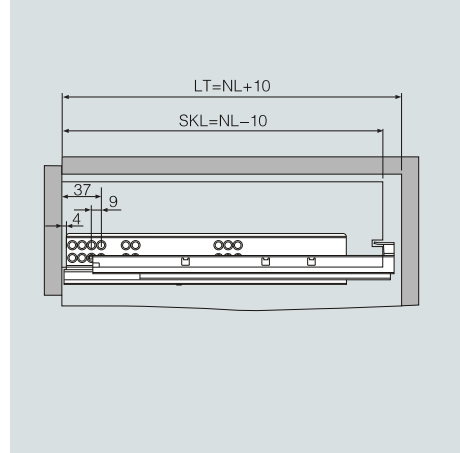
柜体所需空间 Space required

SKW: 抽屉净宽 Drawer width
 LW: 柜体净宽 Inside net width
 Max.: 最大尺寸



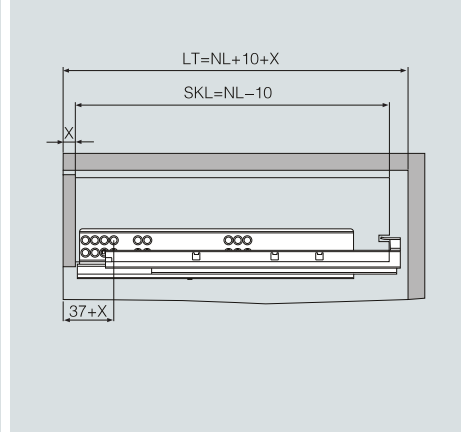
外置抽屉 Standard drawer

NL: 标称长度 Nominal length
 SKL: 抽屉长度 Length of drawer
 LT: 最小柜深 Min cabinet depth



内置抽屉 Inner drawer

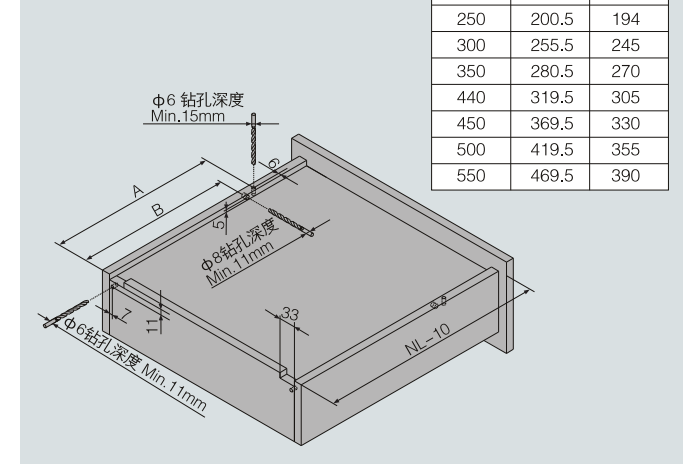
NL: 标称长度 Nominal length
 SKL: 抽屉长度 Length of drawer
 LT: 最小柜深 Min cabinet depth
 X: 面板厚度 Thickness of the front panel



抽屉后背开槽打孔尺寸 Hole size on rear panel of the drawer

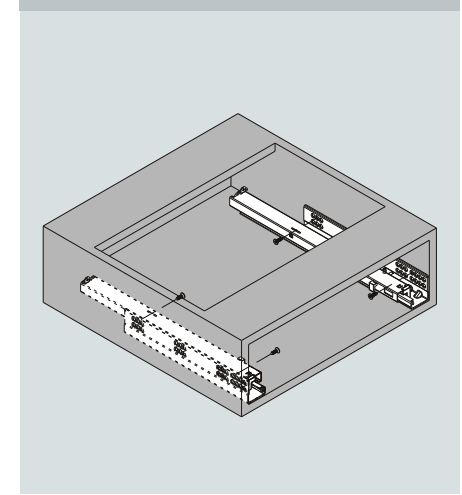
NL: 标称长度 Nominal length
 Min.: 最小尺寸

NL (mm)	A (mm)	B (mm)
250	200.5	194
300	255.5	245
350	280.5	270
440	319.5	305
450	369.5	330
500	419.5	355
550	469.5	390

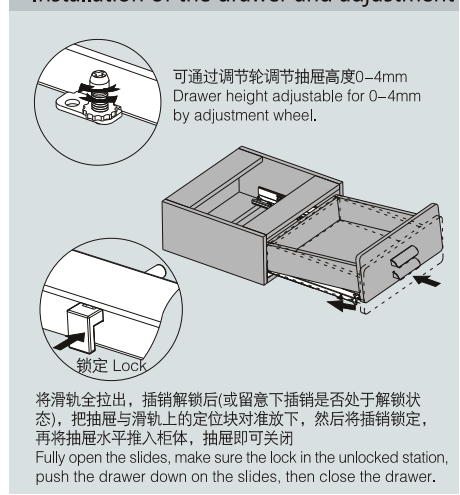


装卸调试步骤说明 Installation instruction

滑轨安装 Installation of the slides



抽屉安装与调节 Installation of the drawer and adjustment



抽屉拆卸 Removal of the drawer

