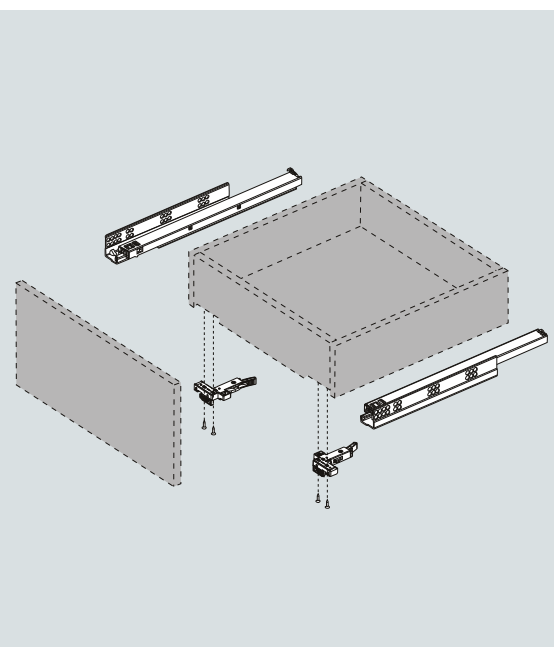
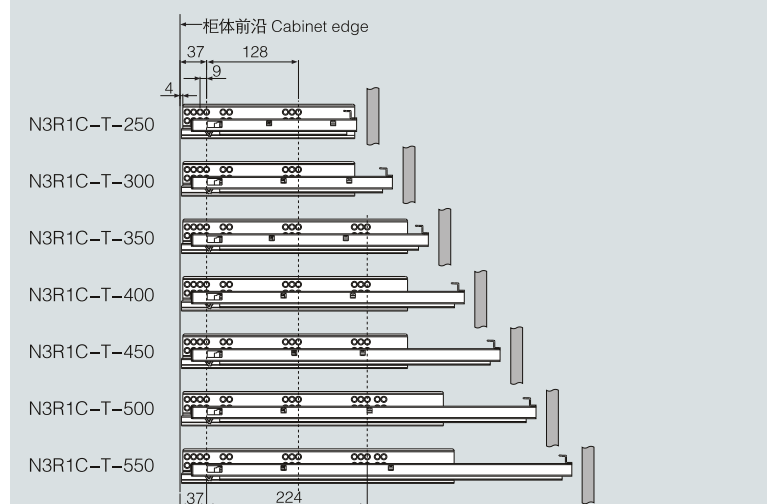


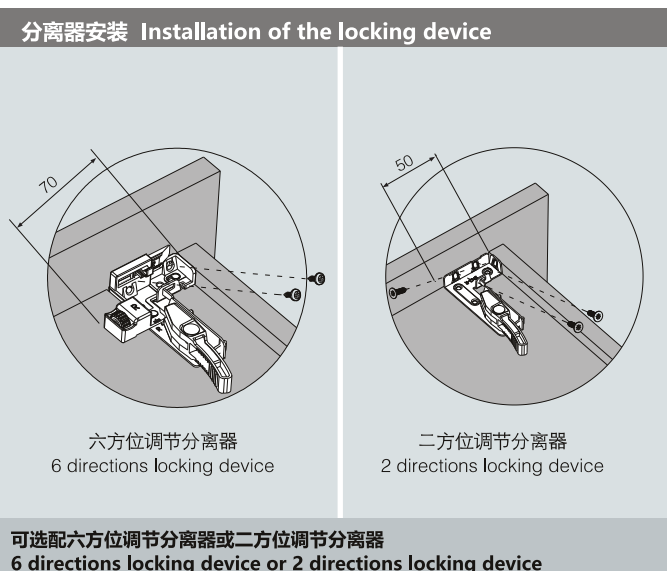
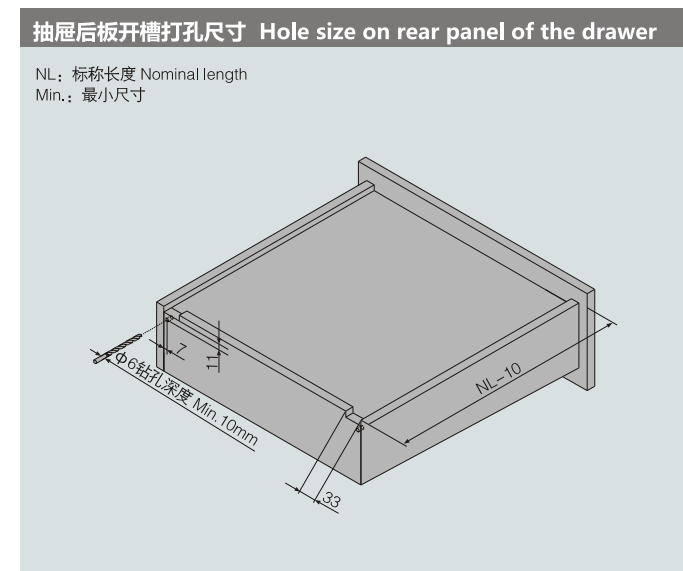
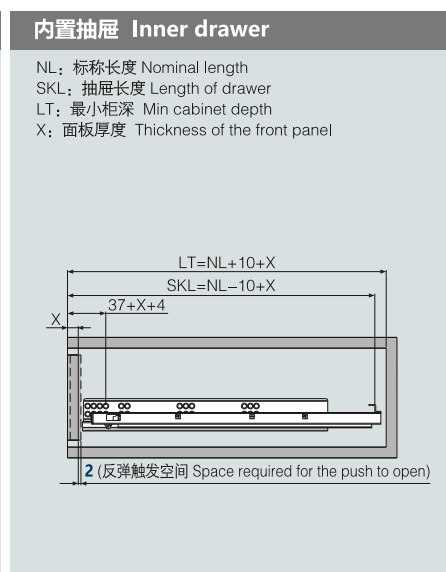
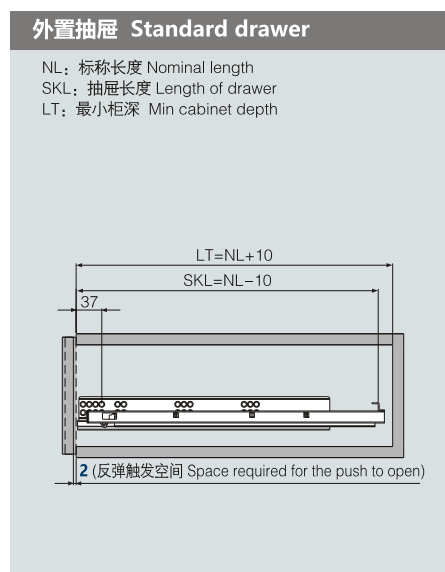
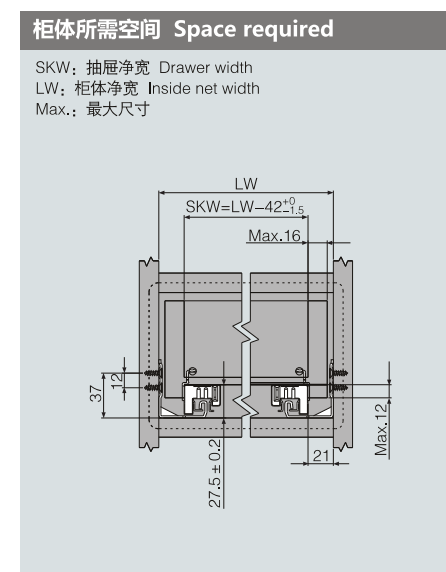
- 隐藏式、全拉出、反弹式
- 载重: 35kg
- 材料: 镀锌板
- 材料厚度(上、中、下)轨: 1.0x1.5x1.8mm
- 无需工具, 抽屉可快速安装与拆卸
- **2mm的反弹触发空间,任意位置按压抽屉即可开启、关闭**
- Push-open concealed full extension slide
- Dynamic load capacity: 35kg
- Material: galvanized steel
- Material thickness: 1.0x1.5x1.8mm
- Tool-free quick installation
- **2mm space required for the push to open, Press the drawer in any position to open and close it**

可选二方位调节分离器 2 directions locking device  
 六方位调节分离器 6 directions locking device

**柜体滑轨安装孔尺寸 Hole pattern**



产品型号 Item No.	标称长度NL (mm) Nominal length	拉出长度 (mm) Travel length	最小柜深LT (mm) (外抽 / 内抽) Min cabinet depth (Standard / Inner)	包装 (套/箱) Packing (Set/Box)
N3R1C-T-250	250	229	260 / 260+X	10
N3R1C-T-300	300	279	310 / 310+X	10
N3R1C-T-350	350	329	360 / 360+X	10
N3R1C-T-400	400	379	410 / 410+X	10
N3R1C-T-450	450	429	460 / 460+X	10
N3R1C-T-500	500	479	510 / 510+X	10
N3R1C-T-550	550	529	560 / 560+X	10



**装卸调试步骤说明 Installation instruction**

